

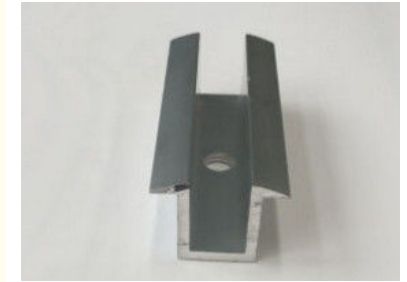


Mill finished Anodized PV MID Clamp For Roof Mounting Systems , Customized Dimensions

Our Product Introduction

Basic Information

- Place of Origin: China
- Brand Name: HT
- Certification: CA , CE
- Model Number: HENTEC rail
- Application: buildings,commercial,industrial
- Temper: T5, T6 ,T66
- Surface Treatment: Mill Finished,Anodized etc
- Material: Aluminum
- Alloy: 6063,6061,6005
- Product Name: Mid Clamp



Product Specification

- Highlight: **solar roof mounting kits,
aluminum frames for solar panels**



for more products please visit us on aluminumextrusion-profiles.com

Product Description

PV MID Clamp For Roof Mounting Systems , Customized Dimensions , Mill finished , Anodized

Product Specification

Item	High quality extruded industrial aluminium profiles
material	Aluminium 6000 series alloy: such as 6063 6005 6061
Temper	T5 T6
Size	3m - 6m per piece ,or customized
Shape	round,square,flat,hollow,oval,triangle,U-profile,L-profile,T-profile,customized available

Surface treatment

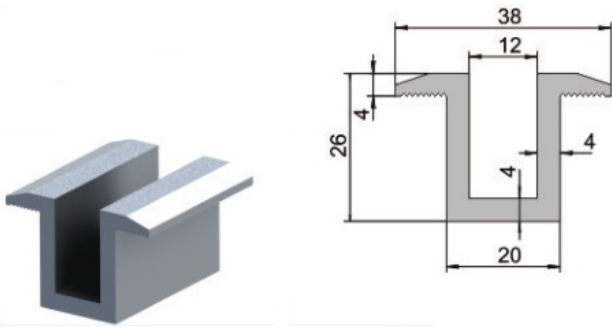
Surface treatment	Mill-finish,anodized,powder,coated,electrophoresis,brushed
Anodized Color	Silver,black,chanpagne,bronze,gold or customized
Anodized thickness	8 - 25um
Electrophoresis color	Silver,black,chanpagne,bronze,gold or customized
Powder coated Color	All color by Raul ,or customized
Powder coated thickness	40 - 120um
Wood grain	customized
Guarantee	surface color can be stable for 10 - 20years indoor using

Packing

Bundles Packing	Inside: packed with plastic protective film to protect each piece Outside: wrap to be bundles by waterproof craft paper or EPE film
Carton packing	Inside: each pcs pack in one plastic bag; Outside: Numbers of quantity put in one carton.
Wood Pallet packing	Inside: Bundles or cartons packing Outside: Numbers of bundles or cartons laden on one wood pallet
Customized requirement	Customized packing requirement available

Other service details

MOQ	200kgs for each item ;Usually 13 - 15tons for a 20Gp ;25 - 28tons for a 40HQ
OEM service	Drawing , sample or design service offer by customer
Production Capacity	80 000tons annually
Deep process	CNC ,drilling ,milling ,cutting ,bending ,tapping ,welding ,assembling ,punching
Brand Name	Hentec
Certificates and Standard	ISO9001 - 2000
Delivery time	Die developing and sample testing :12 - 18days ; Mass production :20 - 30days after confirming sample by buyer
Payment Terms	T/T 30% for deposit ,balance before delivery
FOB port	Shanghai
Settlement Terms	charge by final actual weight or by drawing theoretical weight



Description:

- 1) Material: Anodized AL6063-T5
- 2) The solar roof mounting mid clamp is easy to install.
- 3) Warranty: 10 years
- 4) Standard compliance: AS/NZS 1170 and other international standards.



Specifications:

Part No .	Description	Package
HT-MC-35	Mid clamp 35mm	100sets/pack
HT-MC-40	Mid clamp 40mm	100sets/pack
HT-MC-45/46	Mid clamp 45/46mm	100sets/pack
HT-MC-50	Mid clamp 50 mm	100sets/pack



 **HENTEC** Hentec Industry Co.,Ltd

 +86-13861643436  aluminum@hentec.com.cn  aluminumextrusion-profiles.com

Qinfeng Road No.555 Huashi Town Jiangyin Jiangsu China (mainland) 214421