



## Silver Anodized Solar Roof Mounting Systems For Home Use

### Basic Information

- Place of Origin: China
- Brand Name: HT
- Certification: CA , CE
- Application: buildings,commercial,industrial
- Temper: T4, T5, T6 ,T66
- Surface Treatment: Mill Finished,Anodized, etc
- Material: Aluminum
- Alloy : 6063,6061,6005
- Product Name: Aluminum Curtain Wall Profile
- Minimum Order Quantity: 100SET



### Product Specification

- Highlight: **solar roof mounting kits,  
aluminum frames for solar panels**



## Product Description

### Silver Anodized Solar Roof Mounting Systems For Home Use

Material: 6060-T5 aluminum alloy  
Surface treatment methods: silver anodized  
Installation site: flat or sloping roofs  
Roof material: tile in majority

#### Description:

Hentec Solar roof mounting system refers to a solar panel mounting system suitable for both flat roofs and sloping roofs. With unique aluminum alloy rails, Z-type clamps, and special rail connection techniques, etc, there is no need for on-site processing anymore. Thus, solar panel installation becomes simple and easy.

To suit needs for different kinds of hooks. Hentec solar roof mounting system comes with different kinds of hooks. For instance, we have stainless steel hooks for tile roofs, L-type hooks for steel plate roofs and inclined standing lets for flat roofs.

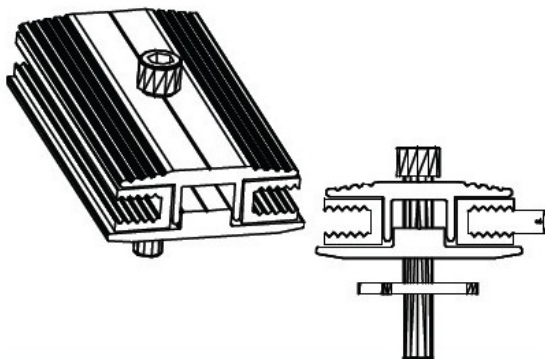
#### Applications:

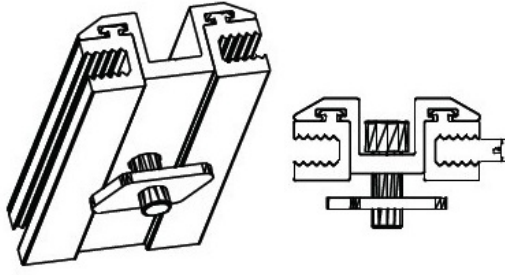
1. Hentec solar roof mounting system is convenient and easy to use.
2. Its components come with flexible combination and good compatibility.
3. Large span.
4. According to customer's demands, the mounting bracket can parallel to the roof or for an angle between the roof.
5. We can provide customized solar roof mounting system according to customers' requirements.

#### Specifications:

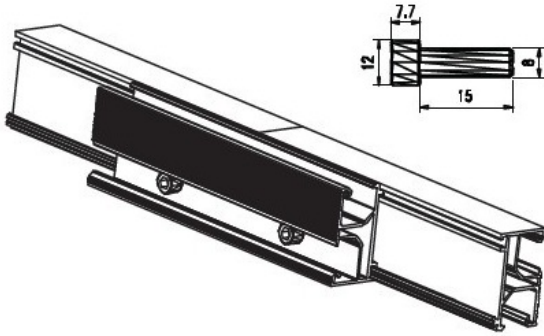
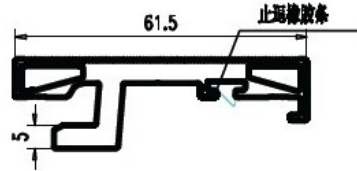
Material: 6060-T5 aluminum alloy  
Surface treatment methods: silver anodized  
Installation site: flat or sloping roofs  
Roof material: tile in majority  
Installation angle: max.60 degree  
Installation height: max .20m  
Wind resistance: 60m/s  
Snow load: 1.4KN each square meter  
Solar panel type: frameless or framed  
Assembly method: longitudinal or lateral  
Solar panel size: The solar roof mounting system is suitable for all types of solar panel .  
International standard: AS/NZS1170 ,and more  
Supporting rails: aluminum alloy extrusions  
Color: natural color  
Warranty: 10years

- 1.Alloy :6063,6061,6005 or according to customer' s choice
- 2.Material:Aluminum
- 3.Suface Treatment: Mill Finished,Anodized ,Electrophoretic coated,Powder spray coated,Fluorocarbon powder spray coated /PVDF Paint, Drawbench,Steel polished,Wood grain coated /Wooden transfer .
- 4.Deep process: Milling, Drilling, Bending,Cutting.
- 5.Color:clear, satin, bronze, black, golden, silver, other multicolor
- 6.Temper: T4, T5, T6 ,T66

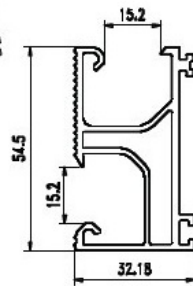
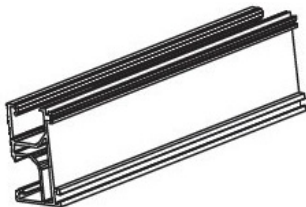
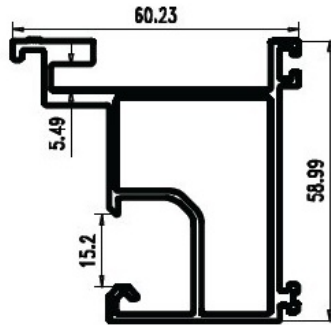


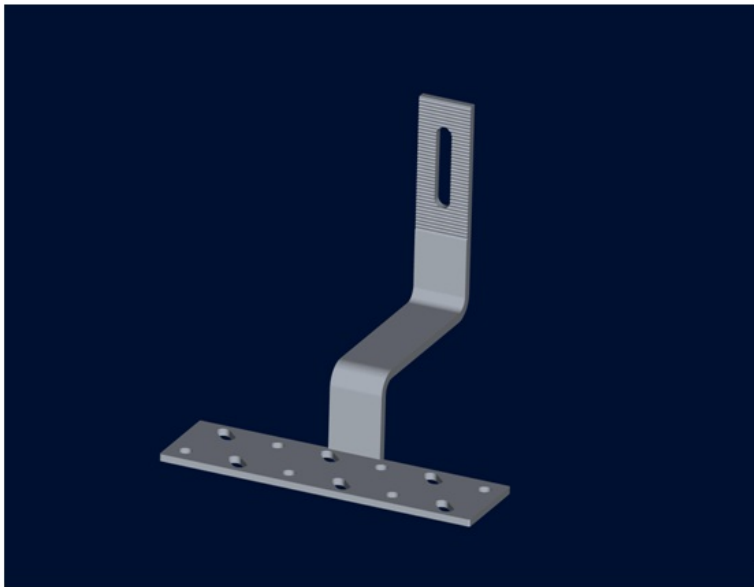
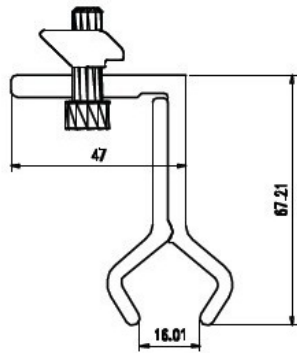
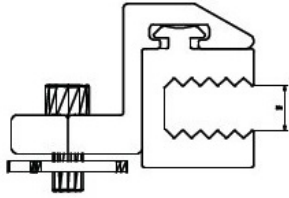
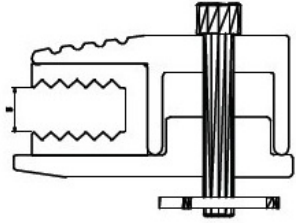


挂勾  
Hook



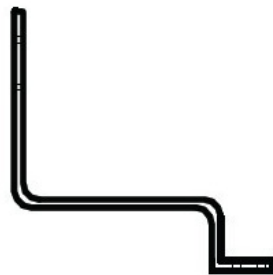
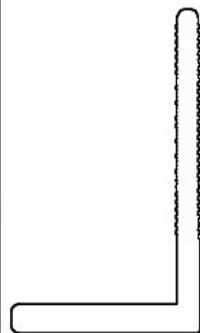
导轨  
Rail

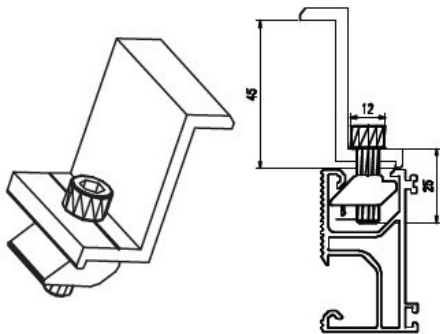
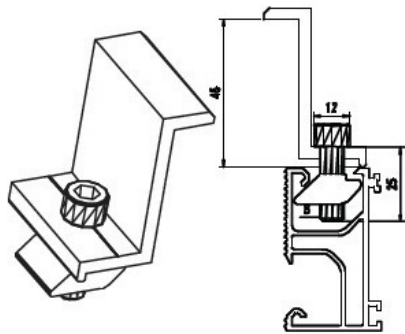
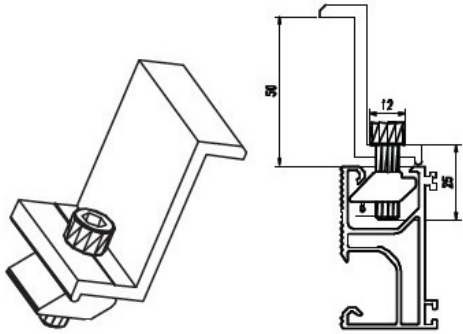
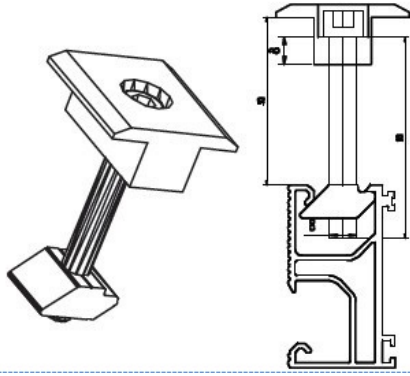
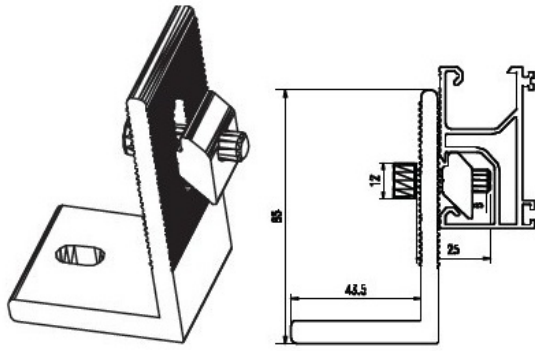


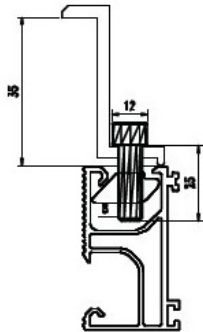
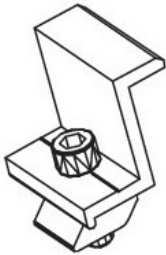
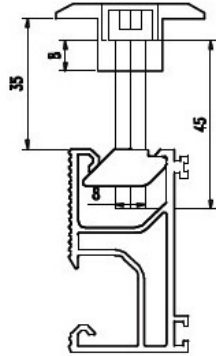
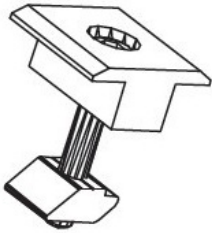
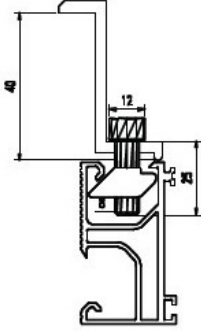
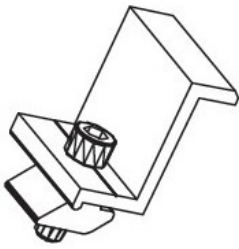
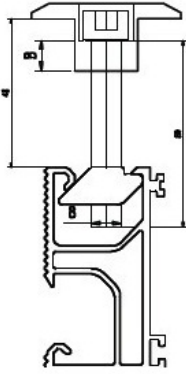
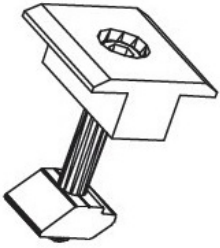
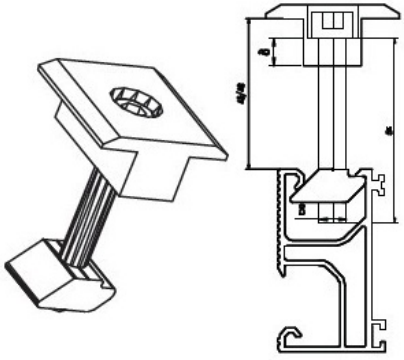


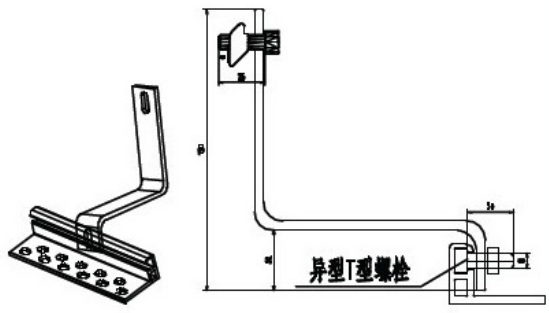
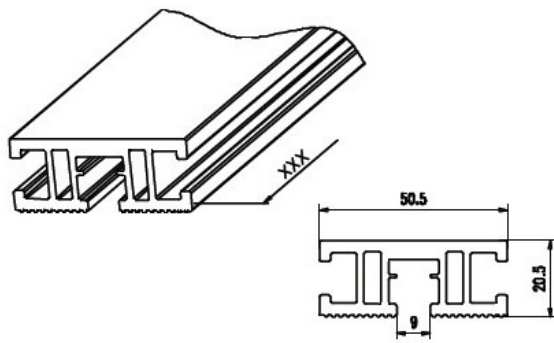
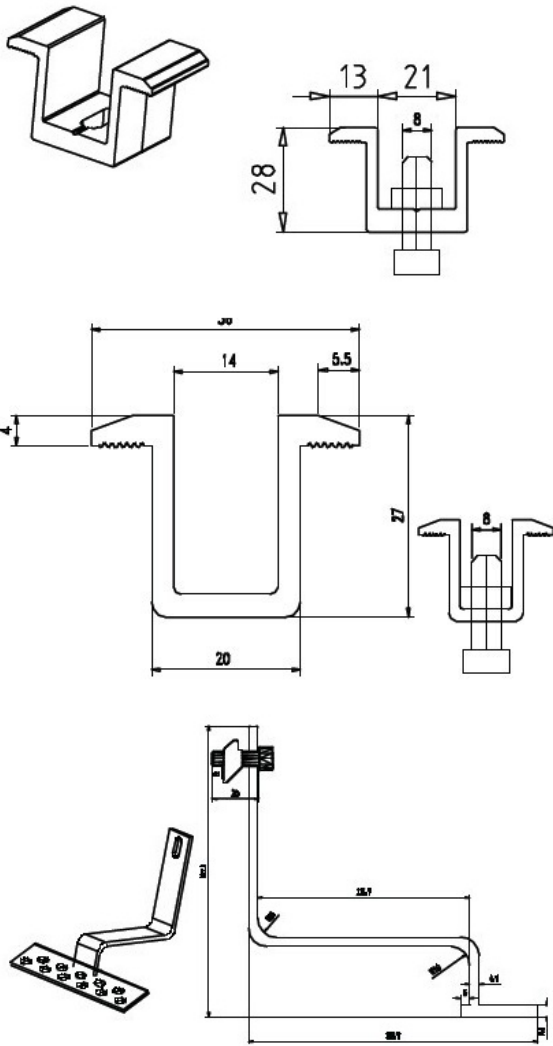
支脚及弯勾

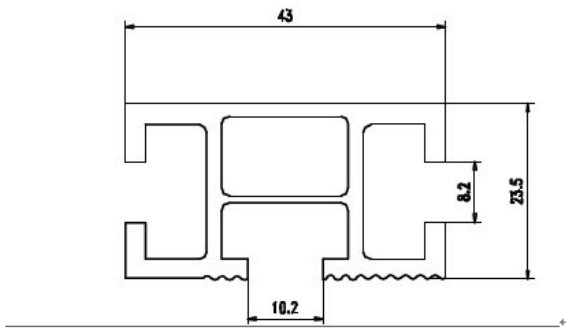
L foot and bend hook











**HENTEC** Hentec Industry Co.,Ltd

+86-13861643436

aluminum@hentec.com.cn

aluminumextrusion-profiles.com

Qinfeng Road No.555 Huashi Town Jiangyin Jiangsu China (mainland) 214421