



## Solar Roof Hook Mounting Systems

Our Product Introduction

### Basic Information

- Place of Origin: China
- Brand Name: HT
- Certification: CA , CE
- Minimum Order Quantity: 100SET
- Packaging Details: Carton and pallet
- Delivery Time: 20days
- Payment Terms: T/T and L/C
- Supply Ability: 100 000set per month



### Product Specification

- Product Name: Solar Roof Mounting Systems
- Alloy: 6063,6061,6005
- Material: Aluminum
- Surface Treatment: Mill Finished,Anodized, etc
- Temper: T4, T5, T6 ,T66
- Application: Buildings,commercial,industrial
- Highlight: **solar roof mounting kits,  
solar panel roof mounts**



for more products please visit us on [aluminumextrusion-profiles.com](http://aluminumextrusion-profiles.com)

## Product Description

### Solar Roof Hook

1. Alloy :6063,6061,6005 or according to customer' s choice
2. Material:Aluminum
3. Surface Treatment: Mill Finished,Anodized ,Electrophoretic coated,Powder spray coated,Fluorocarbon powder spray coated /PVDF Paint, Drawbench,Steel polished,Wood grain coated /Wooden transfer .
4. Deep process: Milling, Drilling, Bending,Cutting.
5. Color:clear, satin, bronze, black, golden, silver, other multicolor
6. Temper: T4, T5, T6 ,T66

### Description:

Hentec Solar roof mounting system refers to a solar panel mounting system suitable for both flat roofs and sloping roofs. With unique aluminum alloy rails, Z-type clamps ,and special rail connection techniques, etc, there is no need for on-site processing anymore. Thus, solar panel installation becomes simple and easy.

To suit needs for different kinds of hooks. Hentec solar roof mounting system comes with different kinds of hooks. For instance, we have stainless steel hooks for tile roofs ,L-type hooks for steel plate roofs and inclined standing lets for flat roofs.

### Applications:

1. Hentec solar roof mounting system is convenient and easy to use.
2. Its components come with flexible combination and good compatibility.
3. Large span.
4. According to customer's demands, the mounting bracket can parallel to the roof or for an angle between the roof.
5. We can provide customized solar roof mounting system according to customers' requirements.

### Specifications:

**Material:** 6060-T5 aluminum alloy

**Surface treatment methods :** silver anodized

**Installation site :** flat or sloping roofs

**Roof material :** tile in majority

**Installation angle :** max.60 degree

**Installation height :** max .20m

**Wind resistance :** 60m/s

**Snow load :**1.4KN each square meter

**Solar panel type :** frameless or framed

**Assembly method :** longitudinal or lateral

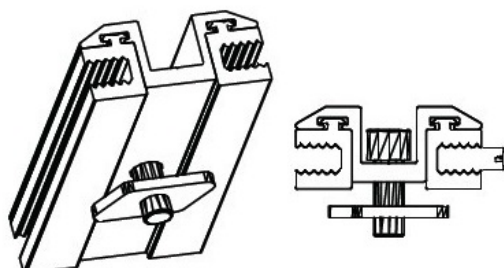
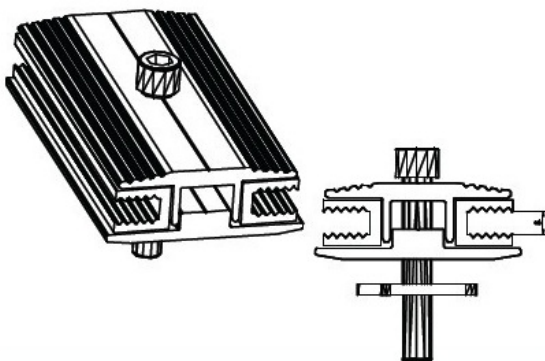
**Solar panel size :** The solar roof mounting system is suitable for all types of solar panel .

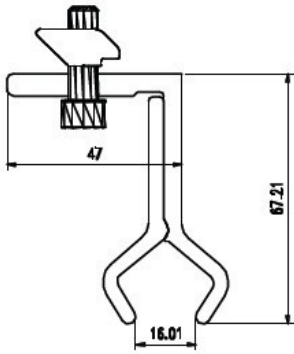
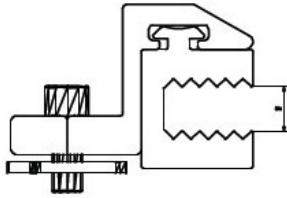
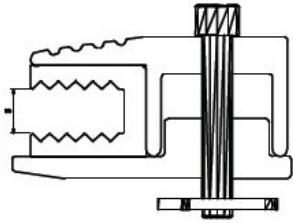
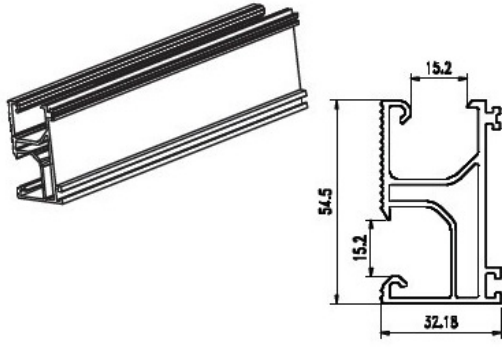
**International standard :** AS/NZS1170 ,and more

**Supporting rails :** aluminum alloy extrusions

**Color :** natural color

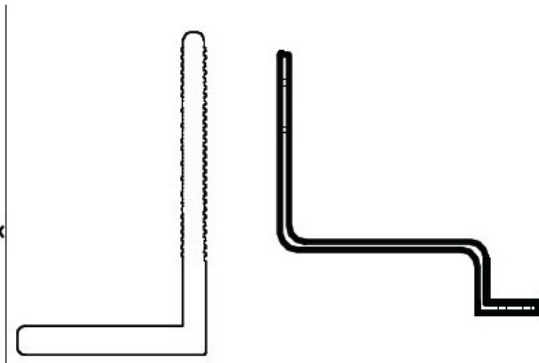
**Warranty :**10 years

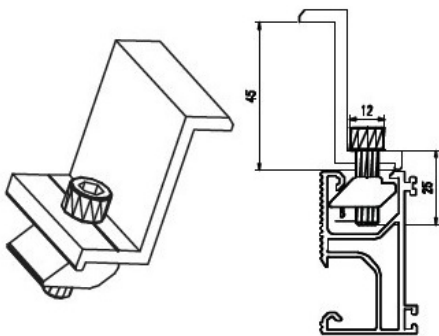
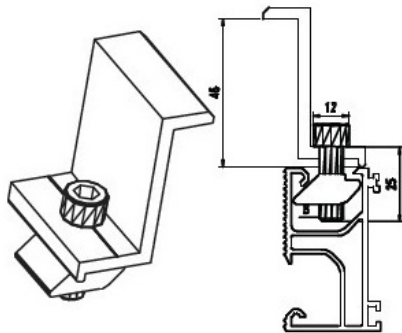
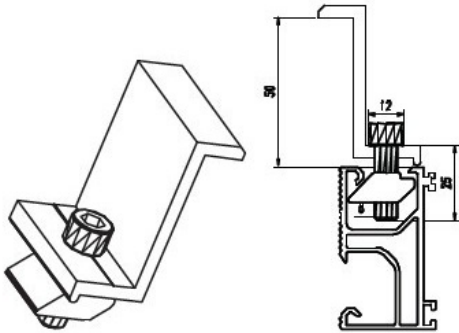
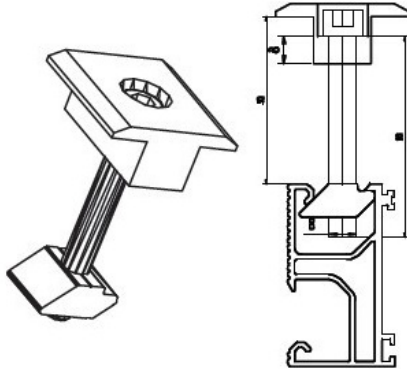
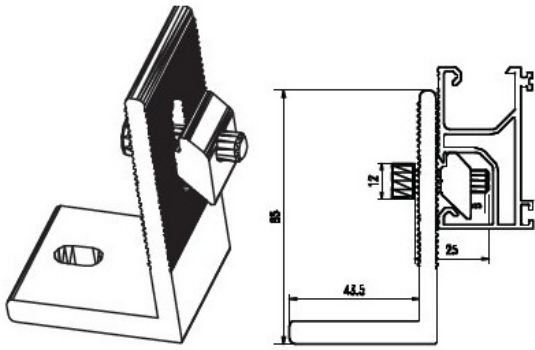


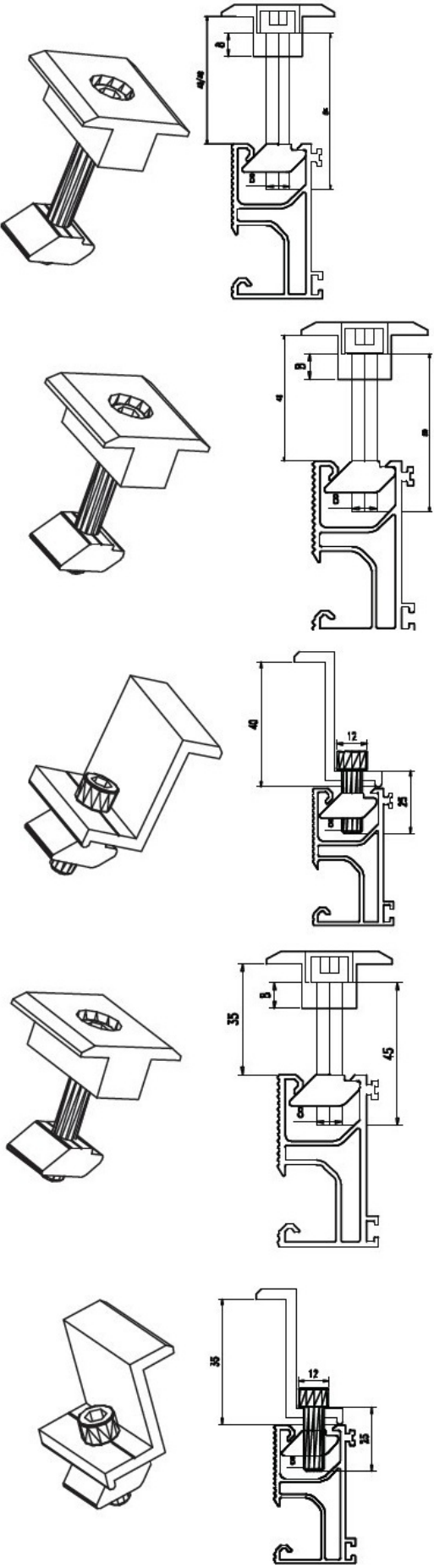


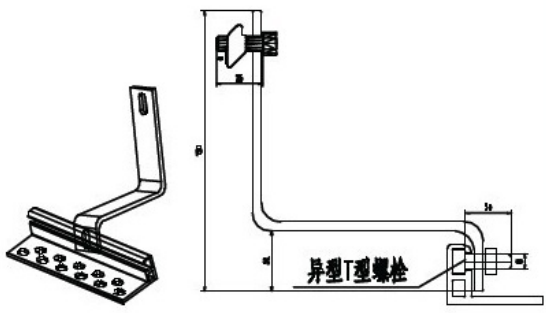
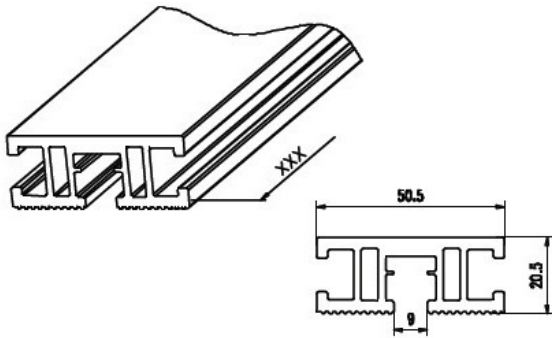
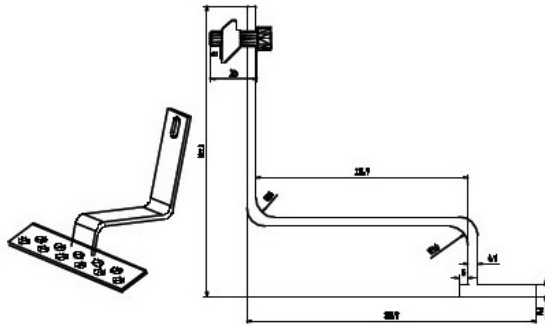
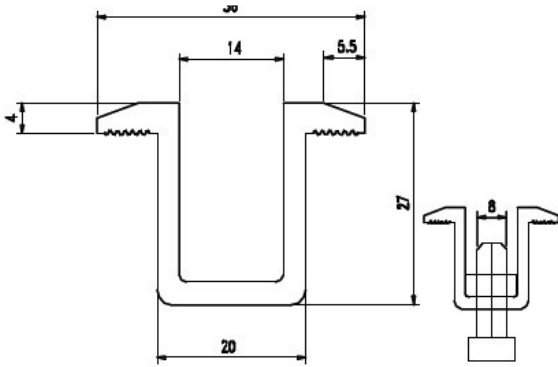
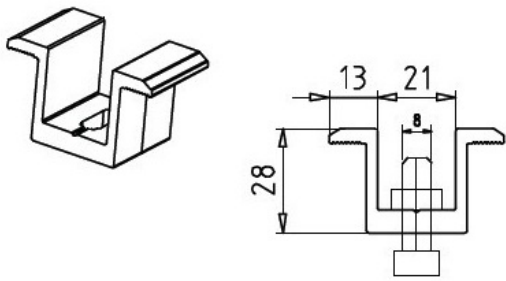
支脚及弯勾

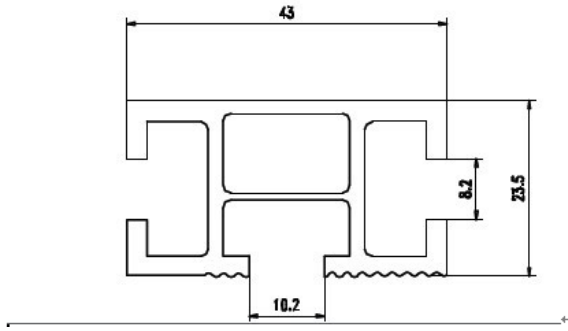
L foot and bend hook












 **HENTEC** Hentec Industry Co.,Ltd

 +86-13861643436

 [aluminum@hentec.com.cn](mailto:aluminum@hentec.com.cn)

 [aluminumextrusion-profiles.com](http://aluminumextrusion-profiles.com)

Qinfeng Road No.555 Huashi Town Jiangyin Jiangsu China (mainland) 214421