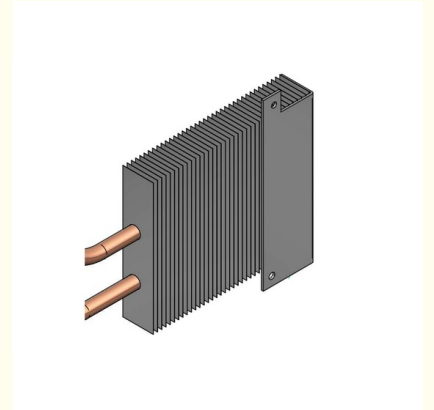




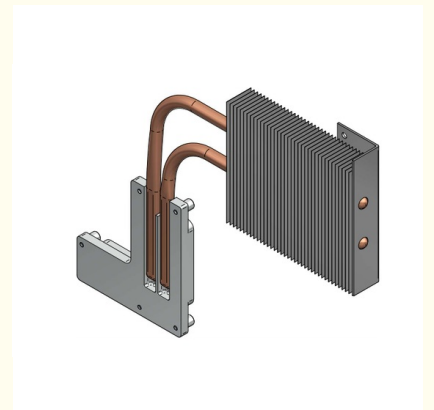
Copper Tube Welding Aluminum Fin Radiator Aluminum Servers Heat Sink

Basic Information

- Place of Origin: China
- Brand Name: HT
- Certification: CA ,CE
- Model Number: KTH-005
- Minimum Order Quantity: 1 ton
- Packaging Details: Ep paper ,kraft ,pallet
- Delivery Time: 20days
- Payment Terms: T/T ,L/C
- Supply Ability: 100 000ton each month



Product Specification



Product Description

Copper Tube Welding Aluminum Fin Radiator Aluminum Servers Heat Sink

Material:Aluminum
Temper: T4, T5, T6 ,T66
Alloy:6063,6061 ,6005 ,6060or according to customer' s choice
Color:clear, satin, bronze, black, golden, silver, other multicolor

Description:

Item	Aluminum extrusion heat sink with CNC machining
Material	Alloy 6063, 6061 or according to customer' s choice
Temper	T3, T4, T5, T6
Surface	Anodize (clear, satin, bronze, black, golden, silver, other multicolor) , electrophoresis, powder coating, PVDF coating, wood grain painting, etc.
MOQ	1 ton. Usually 12 tons for a 20 feet container; 24 tons for a 40 feet container.
Profile type	Aluminum Extrusion Heatsink which is used in medical equipment ,LED Heat sink ,CPU Cooler , Led Lamp ,Led light , notebook cooler ,and some other filed .
Processing	Aluminum profile extruding ,Precise cutting,Straight rectification,Bending,Drilling,Tapping,Stamping,Pulling,CNC mill, CNC lathe. For precious machining and cutting, length tolerance can be 0.2mm, hole tolerance can be 0.05mm .
Moulding	1. Using our mould, free; 2. Using customer' s drawing, opening mould fee need to be paid .
Certificate	ISO14001:2004, ISO9001:2000
Standard	Meet the China national standard GB/T6892-2006 and Europe standard EN12020-1,2(2001) and American standard AAMA611-98.
FOB Port	Shanghai, etc.

Applications:

Industry Aluminum profile used in cars, trains machinery ,electronics, medical and other industrial filed . In terms of hardware, machinery, electromechanical parts, solar PV products, aluminum frames are adopt as important auxiliary materials. We also have aluminum profiles for radiators, fitness machinery, buildings, lighting instrument, windpipes, oil pipelines, for instance.

Specifications:

1.Primary Technical Data

1)Chemical composition

Alloy	Si	Fe	Cu	Mn	Mg	Cr	Zn	Ti	Impurity	Al
6063	0.2-0.6	0.35	0.1	0.1	0.45-0.9	0.1	0.1	0.1	0.15	Rest
6061	0.4-0.8	0.7	0.15-0.4	0.15	0.8-1.2	0.04-0.35	0.25	0.15	0.15	Rest
6060	0.3-0.6	0.1-0.3	0.1	0.1	0.35-0.6	-	0.15	0.1	0.15	Rest
6005	0.6-0.9	0.35	0.1	0.1	0.40-0.6	0.1	0.1	0.1	0.15	Rest

2)Mechanical property

Alloy	Temper	Tensile strength	Yield strength	Elongation
6063	T5	≥ 160Mpa	≥ 110Mpa	≥ 8%
	T6	≥ 205Mpa	≥ 180Mpa	≥ 8%
6061	T6	≥ 265Mpa	≥ 245Mpa	≥ 8%

2.Specifications:

Excellent material for smooth and subtle edges.
Elegant appearance.
Surface treatment: colorful anodized or electrostatic powder coated.
Suitable for constructions and other industrial purposes.
Customized surface finishes are welcome.

Competitive Advantage:

- 1)Engineering design and support.
- 2)Aluminum profiles deeply processing:cutting,punching,drilling,milling,and fabricating.
- 3)High Quality system, strictly inspection during production and whole inspection before package.
- 4)Good performance, product warranty for 15 years.



 **Hentec Industry Co.,Ltd**

 +86-13861643436

 aluminum@hentec.com.cn

 aluminumextrusion-profiles.com

Qinfeng Road No.555 Huashi Town Jiangyin Jiangsu China (mainland) 214421